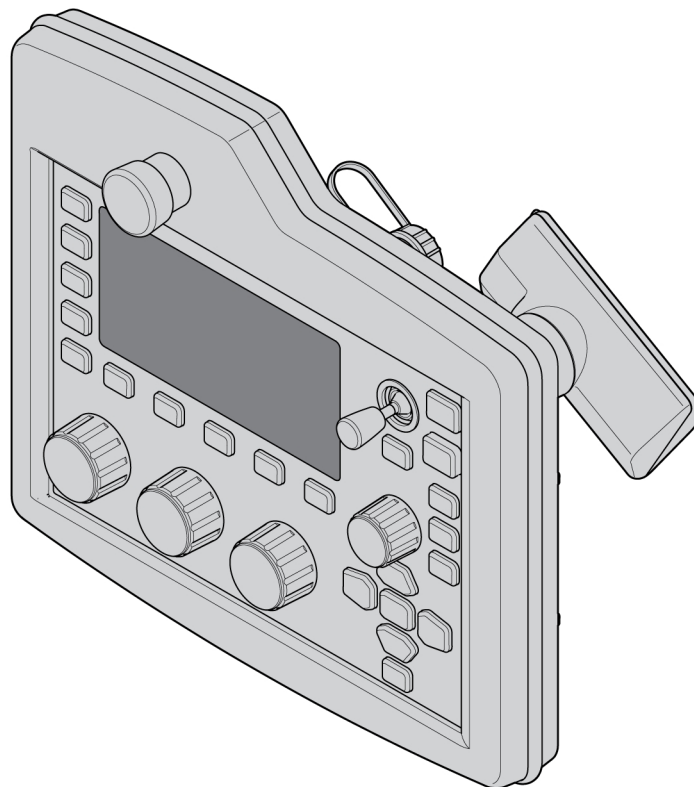


EAC 30

Control panel



Spare parts list

Ordering no.	Denomination	Notes
0911 492 880	EAC 30	Control cabinet
0448 311 *	Instruction manual	
0448 758 001	Service manual	

The three last digits in the document number of the manual show the version of the manual. Therefore they are replaced with * here. Make sure to use a manual with a serial number or software version that corresponds with the product, see the front page of the manual.

Spare parts may be ordered through your nearest ESAB dealer, see esab.com. When ordering, please state product type, serial number, denominations and ordering numbers according to the spare parts list. This facilitates dispatch and ensures correct delivery.

Maintenance and repair work should be performed by an experienced person, and electrical work only by a trained electrician. Use only recommended spare parts.

For accessories to the product, see the instruction manual.

TABLE OF CONTENTS

- 1 SPARE PARTS 4**
- 1.1 EAC 30, Main module 4**
- 1.2 Membrane panel parts 6**

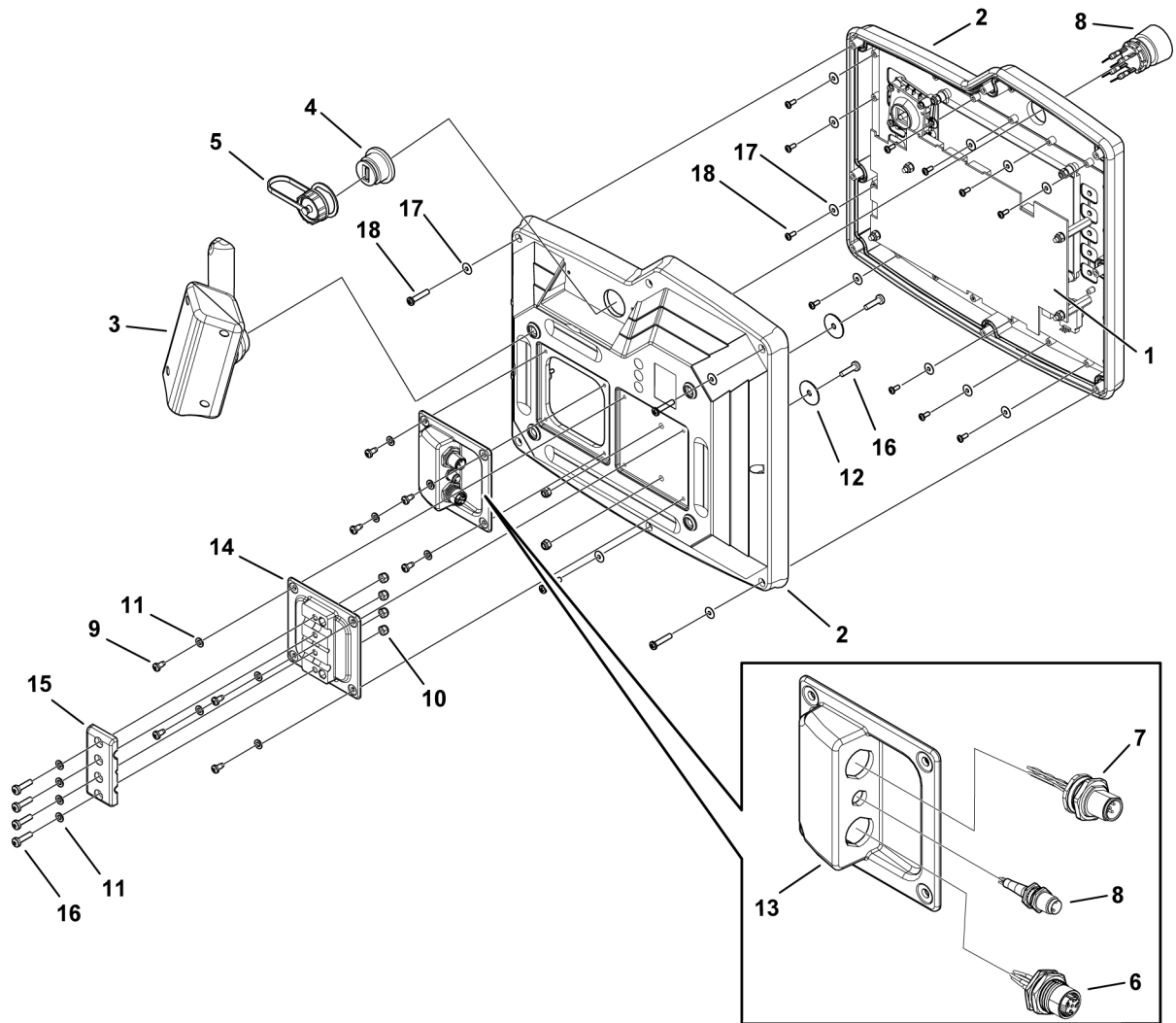
1 SPARE PARTS

1.1 EAC 30, Main module

C = Component designation in the circuit diagram

Item	Qty	Ordering no.	Denomination	Notes	C
1	1		Membrane panel with components	See " <i>Membrane panel parts</i> ", page 6	
2	1	0912 526 001	Enclosure, Plastic		
3	1	0911 565 001	Handle set		
4	1	0911 565 001	USB connector assembly		
5	1	0911 565 001	Cover for USB		
6	1	0912 418 880	Ethernet cable with connector		
7	1	0912 415 880	Internal CAN cable		
8	1	0912 416 880	Emergency switch with M8 4P connector and cable		
9	1		Screw	RX-PT, 6-19×8	
10	8		Hexagonal nylon locking nut	M4	
11	6		Washer	DIN 125, D=4.3 mm	
12	12		Washer	NB D 19/5×1	
13	2	0912 564 001	Mounting frame, Cable connector		
14	1	0912 564 002	Strain relief		
15	1	0912 564 003	Fixing plate, Strain relief		
16	6		Screw	M4×16 STEEL, 8.8 FZB	
17	22		Washer	3×8 mm	
18	30		Screw	4×20 mm	

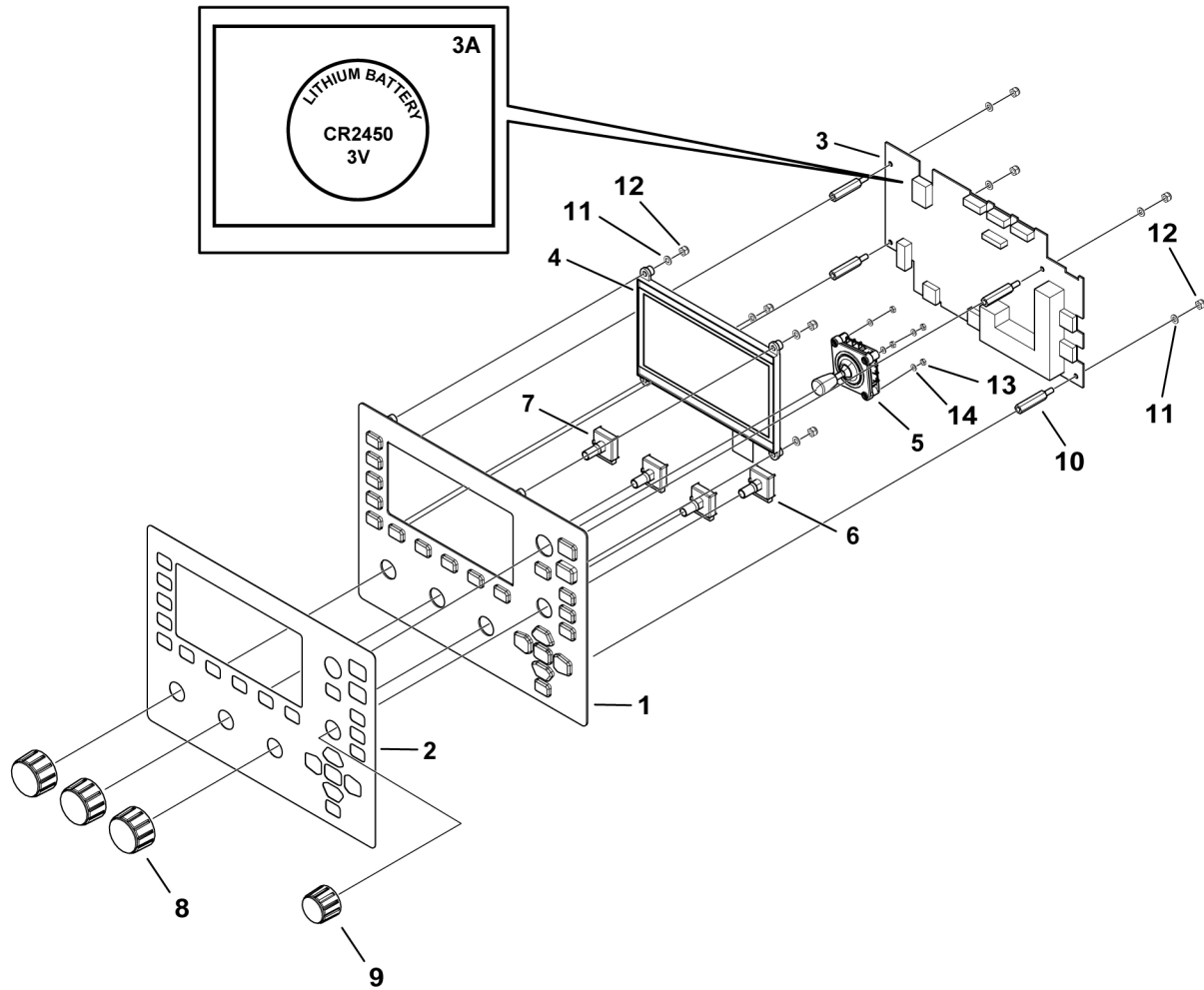
1 SPARE PARTS



1.2 Membrane panel parts

C = Component designation in the circuit diagram

Item	Qty	Ordering no.	Denomination	Notes	C
1	1	0911 567 001	Membrane panel		
2	1	0911 082 002	Aluminium front plate		
3	1	0440 643 880	Weld data PCB		1AP1
3A	1		Lithium coin battery CR2450	Manganese dioxide CR2450 3 V 620 mAh (Part of Weld Data PCB, Item 3)	BA1
4	1	0193 949 003	Display	U8_2	1AP2
5	1	0912 467 880	Joystick		
6	1	0912 468 880	Encoder		
7	3	0193 912 002	Encoder	U8_2	
8	3	0460 600 536	Knob	D36-1/4 Inch Grey	
9	1	0460 600 028	Knob	D28-6 mm Grey	
10	4		Distance screw	M4×30	
11	8		Washer	DIN 125 D=4.3mm	
12	8		Hexagonal nylon locking nut	M4	
13	4		Nut	6K Steel 8.8 M2.5	
14	4		Washer	BRB D6/2.7×0.5	
15	4		Spacer	Not visible in graphic	





A WORLD OF PRODUCTS AND SOLUTIONS.



For contact information visit esab.com

ESAB AB, Lindholmsallén 9, Box 8004, 402 77 Gothenburg, Sweden, Phone +46 (0) 31 50 90 00

manuals.esab.com

